

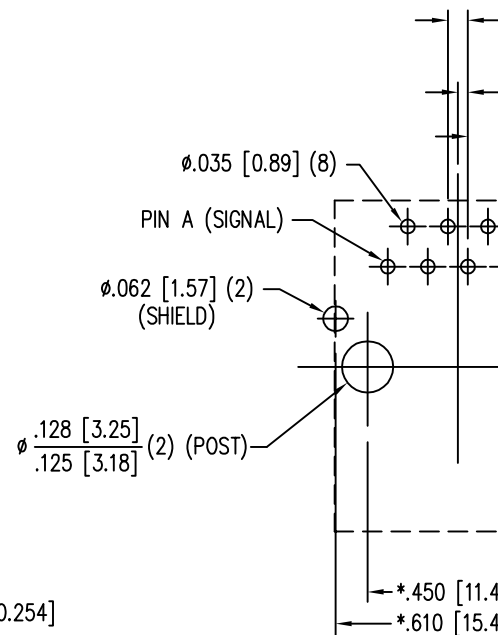
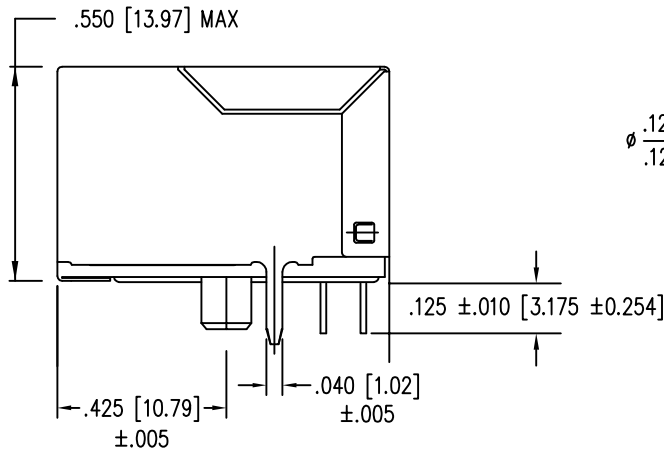
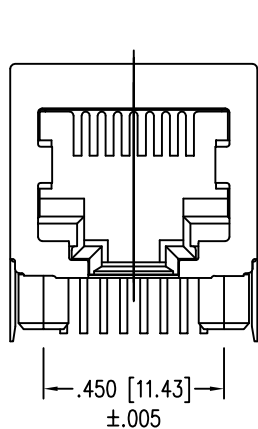
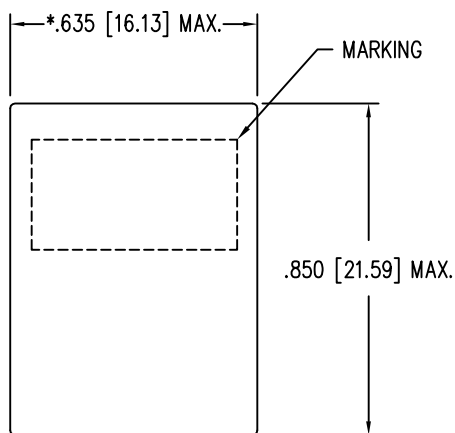
ELECTRICAL SPECIFICATIONS:

CURRENT CAPABILITY	: 350mA MAX	NOT
1.0 TURNS RATIO: (P6-P5-P4) : (J6-J3)	: 1CT : 1CT ± 3%	1.0
(P3-P2-P1) : (J2-J1)	: 1CT : 1CT ± 3%	CON
2.0 INDUCTANCE: (P6-P4)	: 350uH MIN. @ 0.1V, 100KHz, 8mA DC Bias	
(P3-P1)	: 350uH MIN. @ 0.1V, 100KHz, 8mA DC Bias	
3.0 LEAKAGE INDUCTANCE: P6-P4 (WITH J6 AND J3 SHORT)	: 0.3 MAX. @ 1MHZ	
P3-P1 (WITH J2 AND J1 SHORT)	: 0.3 MAX. @ 1MHZ	
4.0 INTERWINDING CAPACITANCE: (P6,P5,P4) TO (J6,J3)	: 35pf MAX @ 1MHZ	
(P3,P2,P1) TO (J2,J1)	: 35pf MAX. @ 1MHZ	
5.0 DC RESISTANCE: (J6-J3)=(J2-J1)	: 1.2 ohms Max.	

Bel Stewart C
 11118 Susquehanna
 Glen Rock, Pa 1732
 717.234.7512

RECEIVE

- 6.0 RETURN LOSS: (P6-P4)=100 OHMS AND (P1-P3)=100 OHM REF.
1MHz TO 30MHz : 18dB MIN.
60MHz TO 80MHz : 12dB MIN.
NOTE: 100 OHMS CONNECTED TO (J2-J1) OR (J6-J3).
- 7.0 DIELECTRIC WITHSTAND: (J1, J2) TO (P1, P3) : 1500 VAC
(J3, J6) TO (P4,P6) : 1500 VAC
- 8.0 INSERTION LOSS: RS=RL=100 ohms : 1.1 dB TYP
100KHz TO 100MHz
- 9.0 RISE TIME: RS=100 OHMS AND RL = 100 OHMS : 3.0 nS MAX
OUTPUT VOLTAGE = 1 V peak : 3.0 nS MAX
PULSE WIDTH= 112nS
- 10.0 CROSS TALK: 1MHz TO 100MHz : 40 dB TYP
- 11.0 COMMON TO COMMON MODE ATTENUATION: 30MHz TO 100MHz : 35dB TYP



P.C.B. RECOMMENDED
SEEN FROM COMP
TOLERANCE $\pm .003 [0.08] \text{ UNLESS}$

- PIN NOT ELECTRICALLY CONNECTED MAYBE OMITTED.

NOTES:

- TOLERANCES COMPLY WITH F.C.C. DIMENSION REQUIREMENTS
- DIMENSIONS SHOWN WITH "*" TO BE CENTRAL ABOUT CENTER LINE
- DIMENSIONS SHOWN ARE SUBJECT TO CHANGE WITHOUT NOTICE.
- PIN NOT ELECTRICALLY CONNECTED MAYBE OMITTED.
SEE ELECTRICAL DRAWING FOR OMITTED PINS.
- STANDARD 50 MICRO-INCH SELECTIVE GOLD PLATING

Bel Stewart C
11118 Susquehanna
Glen Rock, Pa 1732
717.234.7512

THIS DRAWING AND THE SUBJECT MATTER SHOWN THEREON ARE CONFIDENTIAL AND PROPERTY OF BEL STEWART CONNECTOR AND SHALL NOT BE REPRODUCED, COPIED, OR USED IN ANY MANNER WITHOUT PRIOR WRITTEN CONSENT OF BEL STEWART CONNECTOR. THE SUBJECT MATTER MAY BE PATENTED OR A PATENT MAY BE PENDING.